

# C&K LCA Series Subminiature Snap-acting Switches



## Features/Benefits

- Compact design
- Long life and high electrical capacity
- Quick connect, solder terminals, PC terminals
- Wide variety of actuator styles
- RoHS compatible

## Typical Applications

- Motorized equipment
- Sump pump
- Thermostatic controls



## Specifications

CONTACT RATING: From low level to 10 AMPS @ 125 V AC  
 ELECTRICAL LIFE: 6,000 cycles at 10 AMPS @ 125 V AC  
 INSULATION RESISTANCE: 100 M ohm min.  
 DIELECTRIC STRENGTH: 1,500 Vrms min. @ sea level.  
 OPERATING TEMPERATURE: -10°C to +125°C  
 OPERATING FORCE: 140 grams at actuator button MAX.  
 Forces are less at free end of lever actuators; (see ACTUATOR'S option sections).  
 MOUNTING: 2-56 screws, torque 2.3 in/lbs max.

**NOTE:** For the latest information regarding RoHS compliance, please go to: [www.ittcannon.com/rohs](http://www.ittcannon.com/rohs).

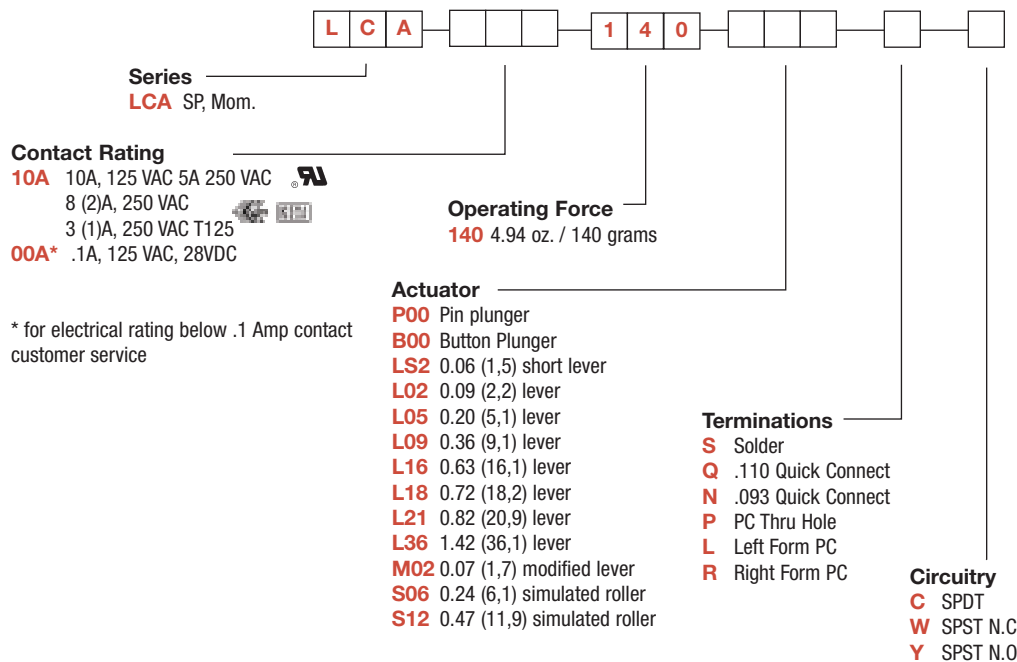
**NOTE:** Specifications and materials listed above are for switches with standard options. For information on specific and custom switches, consult Customer Service center.

## Materials

SWITCH HOUSING: Thermoplastic polyester or high temperature thermoplastic (PTS) (UL 94V-0).  
 ACTUATOR BUTTON: Thermoplastic polyester.  
 SPRING: Copper alloy.  
 PIVOT: Copper alloy.  
 MOVABLE CONTACTS: Silver nickel 8 and 10 amp with gold plate for .1 AMP.  
 STATIONARY CONTACTS: Silver nickel on copper alloy.  
 TERMINALS: Copper alloy.  
 ACTUATOR LEVER: Stainless steel.

## Build-A-Switch

To order, simply select desired option from each category and place in the appropriate box. Available options are shown and described on pages K-22 thru K-24. For additional options not shown in catalog, consult Customer Service Center.



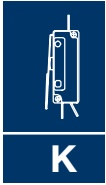
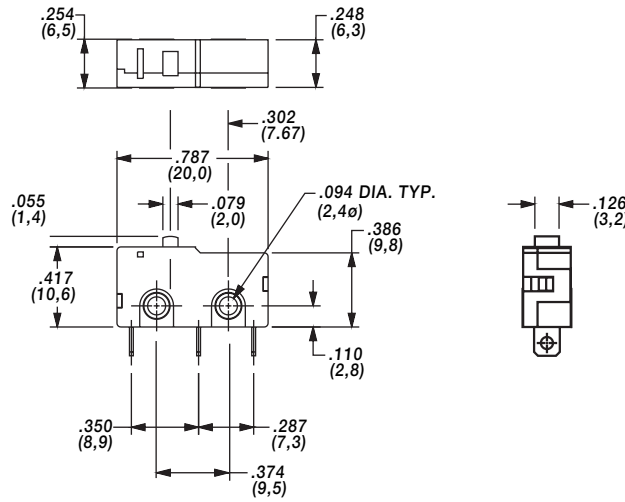
Dimensions are shown: Inch (mm)  
 Specifications and dimensions subject to change



# C&K LCA Series Subminiature Snap-acting Switches

## SERIES

**LCA**



**K**

**Snap-acting**

## ELECTRICAL RATING

RoHS COMPLIANT *	RoHS COMPATIBLE *	OPTION CODE	ELECTRICAL RATING	
YES	YES	<b>10A</b>	10A, 125 VAC 5A 250 VAC 8 (2)A, 250 VAC 3 (1)A, 250 VAC T125	
YES	YES	<b>00A**</b>	.1A, 125, VAC, 28 V DC	

\* Note: See Technical Data section of this catalog for RoHS compliant and compatible definition and specifications.  
\*\* For electrical rating below .1 Amp, contact customer service.

## OPERATING FORCE

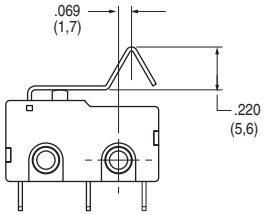
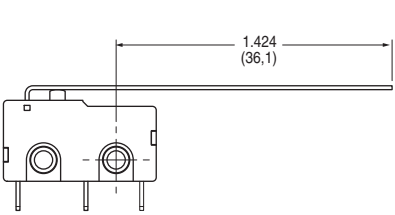
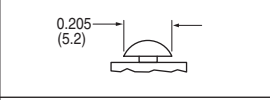
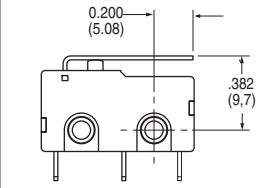
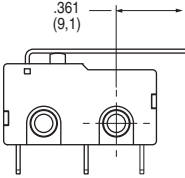
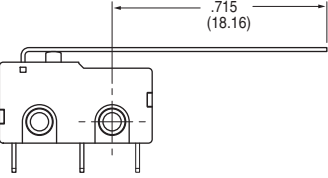
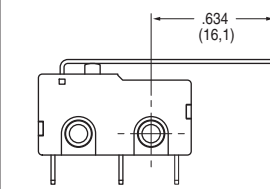
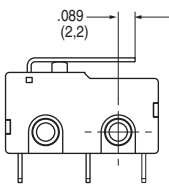
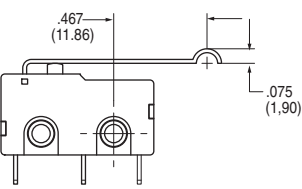
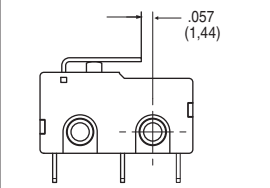
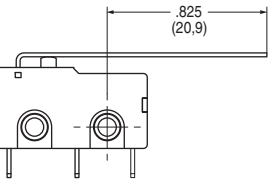
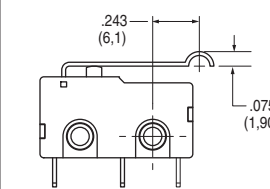
OPTION CODE	OPERATING FORCES (oz/grams)
<b>140</b>	4.94 / 140 grams max.



Dimensions are shown: Inch (mm)  
Specifications and dimensions subject to change

# C&K LCA Series Subminiature Snap-acting Switches

ACTUATOR 

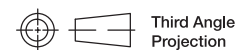
P00	SEE PAGE K-22 FOR DIMENSIONS			L36	
B00		M02			
L05		L09		L18	
L16		L02		S12	
LS2		L21			
S06					



**K**

**Snap-acting**

ACTUATOR CODE	Max Operate Force	
	Grams	oz
<b>P00</b>	140	4.94
<b>B00</b>	140	4.94
<b>LS2</b>	56	1.98
<b>L02</b>	41	1.45
<b>L05</b>	34	1.20
<b>L09</b>	28	0.99
<b>L16</b>	21	0.74
<b>L18</b>	20	0.71
<b>L21</b>	18	0.63
<b>L36</b>	13	0.46
<b>M02</b>	42	1.48
<b>S06</b>	32	1.13
<b>S12</b>	24	0.85



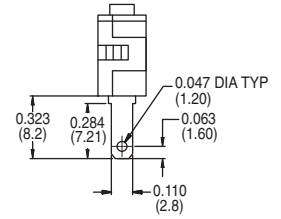
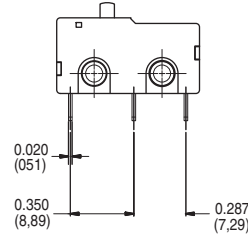
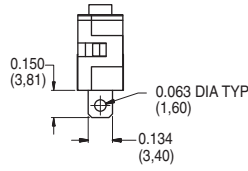
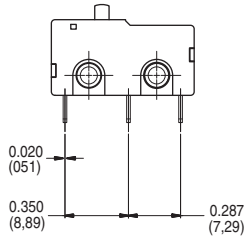
Third Angle Projection  
Dimensions are shown: Inch (mm)  
Specifications and dimensions subject to change

# C&K LCA Series Subminiature Snap-acting Switches

## TERMINATIONS

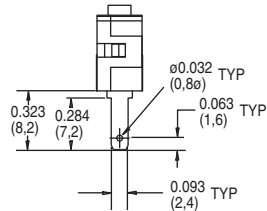
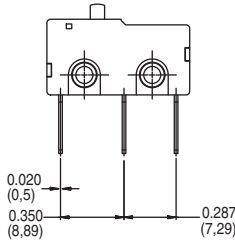
**S** SOLDER

**Q** QUICK CONNECT

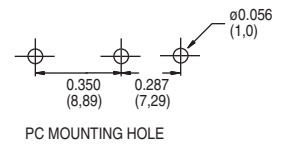
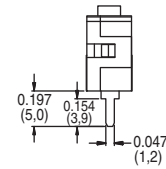
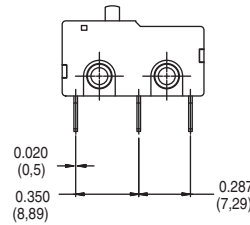


'Q' TERMINAL OPTION

**N** .093 QUICK CONNECT

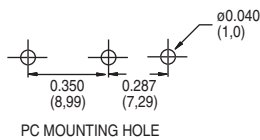
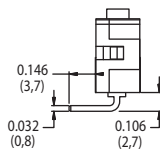
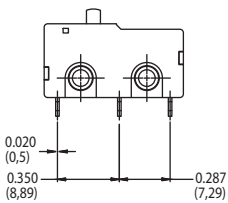


**P** PC THRU HOLE



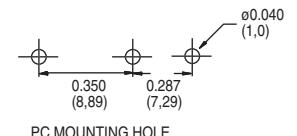
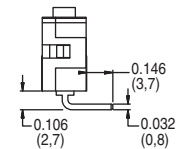
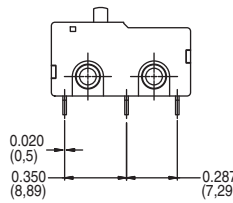
PC MOUNTING HOLE

**L** LEFT FORM PC



PC MOUNTING HOLE

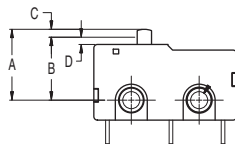
**R** RIGHT FORM PC



PC MOUNTING HOLE

**P00**

<b>A</b>	Free position (max):	0.382 in	9,7 mm
<b>B</b>	Operating position:	0.343 in +/- 0.020 in	8,7 mm +/- 0,5 mm
<b>C</b>	Pre-travel (max):	0.031 in	0,8 mm
<b>D</b>	Over-travel (max):	0.020 in	0,5 mm



**B00**

<b>A</b>	Free position (max):	0.433 in	11,0 mm
<b>B</b>	Operating position:	0.394 in +/- 0.020 in	10,0 mm +/- 0,5 mm
<b>C</b>	Pre-travel (max):	0.031 in	0,8 mm
<b>D</b>	Over-travel (max):	0.004 in	0,1 mm



Third Angle  
Projection

Dimensions are shown: Inch (mm)  
Specifications and dimensions subject to change



Snap-acting  
K

# C&K LCA Series Subminiature Snap-acting Switches

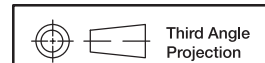
## CIRCUITRY

- C** SPDT (Single Pole, Double Throw)
- W** SPST N.C. (Single Pole, Single Throw, Normally Closed)
- Y** SPST N.O. (Single Pole, Single Throw, Normally Open)



**K**

**Snap-acting**



*Dimensions are shown: Inch (mm)  
Specifications and dimensions subject to change*